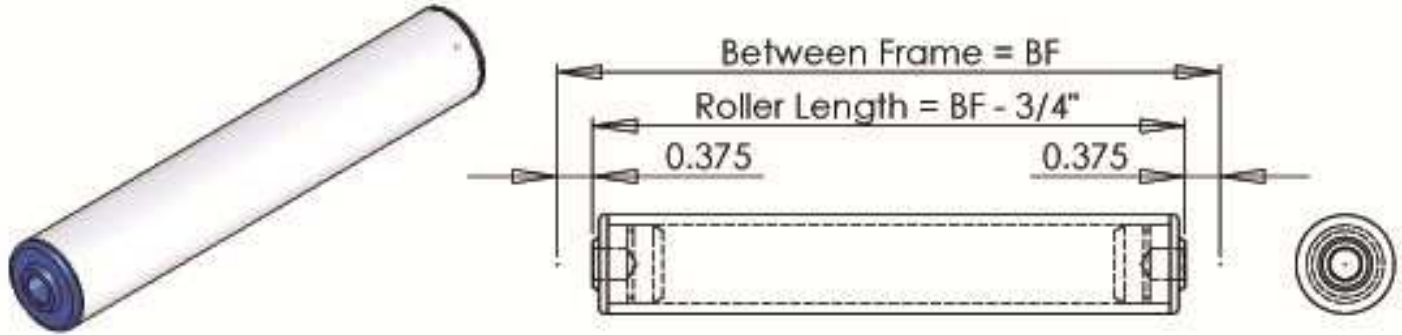


**BNB Industries, Inc.**

PO Box 963, Alvarado Texas 76009-0963 (mailing)  
 2301 Webb Lynn Road, Arlington, Texas 76018 (mfg)  
 Ph: 817-465-9226 E-mail: email@bnb-industries.com  
 Fax 817-465-8305 Web Site: www.bnb-industries.com

**CONVEYOR ROLLERS  
 LIGHT DUTY-BLIND BORE**



**SERIES: ROL0600**

RLR O.D.	NOM. PIPE or TUBE SIZE	WALL THICK.	TUBE MATERIAL	ROLLER PART NUMBER
0.750	20 ga.	0.035	ALUMINUM	BLB2420AL * * * *
0.750	18 ga.	0.049	304 S.S.	BLB24184S * * * *
0.840	1/2" SCH40	0.109	PVC	BLB16P40PV * * * *
1.000	16 ga.	0.065	304 S.S.	BLB32164S * * * *
1.050	3/4" SCH40	0.113	PVC	BLB24P40PV * * * *
1.315	1" SCH40	0.133	ALUMINUM	BLB32P40AL * * * *
1.315	1" SCH40	0.133	PVC	BLB32P40PV * * * *
1.375	18 ga.	0.049	304 S.S.	BLB44184S * * * *
1.375	18 ga.	0.049	GALVANIZED	BLB4418GA * * * *
1.900	1-1/2" SCH5	0.065	304 S.S.	BLB48P054S * * * *
1.900	1-1/2" SCH5	0.065	GALVANIZED	BLB48P05GA * * * *
1.900	1-1/2" SCH40	0.145	PVC	BLB48P40PV * * * *

Contact BNB for Special Sizes not listed

\* \* \* \* BETWEEN FRAME LENGTH CODES  
 (USED TO COMPLETE ROLLER PART NUMBER)

01 = 1/32"	09 = 9/32"	17 = 17/32"	25 = 25/32"
02 = 1/16"	10 = 5/16"	18 = 9/16"	26 = 13/16"
03 = 3/32"	11 = 11/32"	19 = 19/32"	27 = 27/32"
04 = 1/8"	12 = 3/8"	20 = 5/8"	28 = 7/8"
05 = 5/32"	13 = 13/32"	21 = 21/32"	29 = 29/32"
06 = 3/16"	14 = 7/16"	22 = 11/16"	30 = 15/16"
07 = 7/32"	15 = 15/32"	23 = 23/32"	31 = 31/32"
08 = 1/4"	16 = 1/2"	24 = 3/4"	32 = 1"

First two digits of length code is whole inches.  
 Second two digits of length code is based on 32's of an inch increments. Example: Length is 15-1/2" = 1516.

**BALL SCREWS:** 5/16" ball x 1/4"-20 threads  
 1-5/16" OAL

SCREW MATERIAL	HARDWARE TYPE	LIGHT DUTY PART NUMBER
303 S.S	NONE INCLUDED	BSL-4S-00
303 S.S	ZINC PLATED	BSL-4S-01
303 S.S	304 S.S	BSL-4S-04
316 S.S	NONE INCLUDED	BSL-6S-00
316 S.S	316 S.S	BSL-6S-06

Assemblies include 1 each full nut, jam nut and lock washer

ALL ROLLERS LISTED ABOVE REQUIRE  
 TWO EACH BALL SCREW ASSEMBLIES PER ROLLER.

BALL SCREWS - 5/16" X 1/4-20 THREADS x 1-5/16"