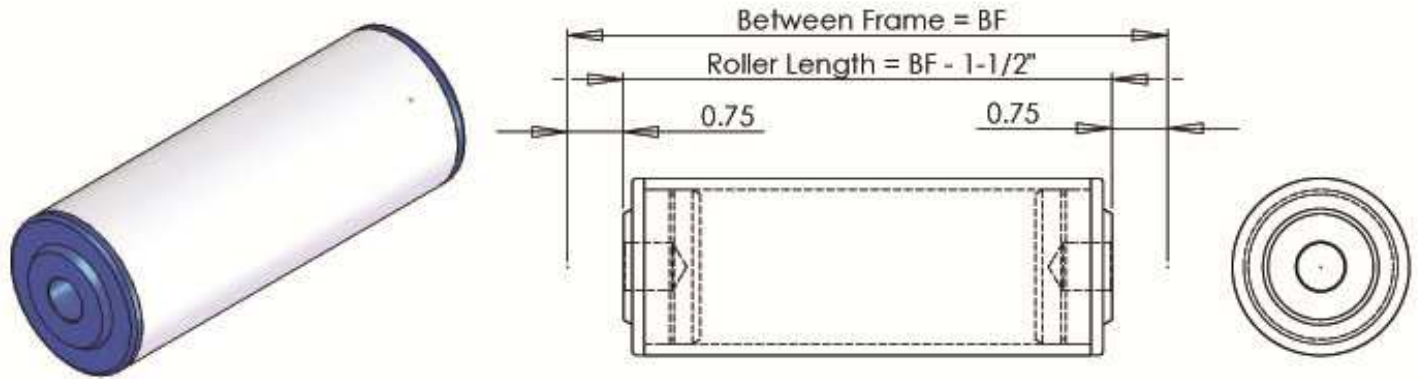


BNB Industries, Inc.

PO Box 963, Alvarado Texas 76009-0963 (mailing)
 2301 Webb Lynn Road, Arlington, Texas 76018 (mfg)
 Ph: 817-465-9226 E-mail: email@bnb-industries.com
 Fax 817-465-8305 Web Site: www.bnb-industries.com

**CONVEYOR ROLLERS
 HEAVY DUTY-BLIND BORE**



SERIES: ROL0800

RLR O.D.	NOM. PIPE or TUBE SIZE	WALL THICK.	TUBE MATERIAL	ROLLER PART NUMBER
1.900	1-1/2" SCH5	0.065	304 S.S.	BHB48P054S * * * *
1.900	1-1/2" SCH5	0.065	GALVANIZED	BHB48P05GA * * * *
1.900	1-1/2" SCH10	0.109	304 S.S.	BHB48P104S * * * *
1.900	1-1/2" SCH40	0.145	PVC	BHB48P40PV * * * *
1.900	1-1/2" SCH80	0.200	PVC	BHB48P80PV * * * *
2.375	11 ga.	0.120	304 S.S.	BHB76114S * * * *
2.375	2" SCH40	0.154	PVC	BHB64P40PV * * * *
2.375	2" SCH80	0.218	PVC	BHB64P80PV * * * *
2.375	SLEEVED	0.283	PVC/STEEL	BHB64PVMS * * * *
2.500	16 ga.	0.065	304 S.S.	BHB80164S * * * *
2.500	11 ga.	0.120	304 S.S.	BHB80114S * * * *
2.875	2-1/2" SCH80	0.276	PVC	BHB80P80PV * * * *

* * * * BETWEEN FRAME LENGTH CODES (USED TO COMPLETE ROLLER PART NUMBER)			
01 = 1/32"	09 = 9/32"	17 = 17/32"	25 = 25/32"
02 = 1/16"	10 = 5/16"	18 = 9/16"	26 = 13/16"
03 = 3/32"	11 = 11/32"	19 = 19/32"	27 = 27/32"
04 = 1/8"	12 = 3/8"	20 = 5/8"	28 = 7/8"
05 = 5/32"	13 = 13/32"	21 = 21/32"	29 = 29/32"
06 = 3/16"	14 = 7/16"	22 = 11/16"	30 = 15/16"
07 = 7/32"	15 = 15/32"	23 = 23/32"	31 = 31/32"
08 = 1/4"	16 = 1/2"	24 = 3/4"	32 = 1"

First two digits of length code is whole inches.
 Second two digits of length code is based on 32's of an inch increments. Example: Length is 15-1/2" = 1516.

BALL SCREWS: 5/8" ball x 1/2"-13 threads
 2-1/8" OAL

SCREW MATERIAL	HARDWARE TYPE	LIGHT DUTY PART NUMBER
303 S.S	NONE INCLUDED	BSH-4S-00
303 S.S	ZINC PLATED	BSH-4S-01
303 S.S	304 S.S	BSH-4S-04
316 S.S	NONE INCLUDED	BSH-6S-00
316 S.S	316 S.S	BSH-6S-06

Assemblies include 1 each full nut, jam nut and lock washer

Contact BNB for Special Sizes not listed

ALL ROLLERS LISTED ABOVE REQUIRE
 TWO EACH BALL SCREW ASSEMBLIES PER ROLLER.



BALL SCREWS - 5/8" X 1/2-13 THREADS x 2-1/8"