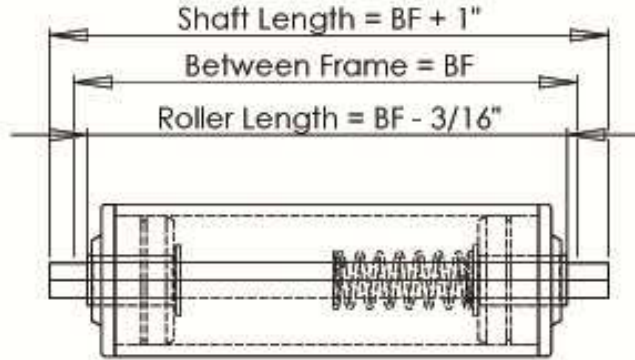


BNB Industries, Inc.

PO Box 963, Alvarado Texas 76009-0963 (mailing)
 2301 Webb Lynn Road, Arlington, Texas 76018 (mfg)
 Ph: 817-465-9226 E-mail: email@bnb-industries.com
 Fax 817-465-8305 Web Site: www.bnb-industries.com

CONVEYOR ROLLERS
7/16" HEX SPRING LOADED ROLLER



SERIES: ROL1500-

RLR O.D.	NOM. PIPE or TUBE SIZE	WALL THICK.	TUBE MATERIAL	SHAFT MATERIAL	ROLLER PART NUMBER
1.375	18 ga.	0.049	304 S.S.	304 S.S.	SLHX4418074S4S****
1.375	18 ga.	0.049	ALUMINUM	304 S.S.	SLHX441807AL4S****
1.375	18 ga.	0.049	GALV.	ZINC PLTD.	SLHX441807GAZP****
1.625	16 ga.	0.065	304 S.S.	304 S.S.	SLHX5216074S4S****
1.660	1-1/4" SCH40	0.140	PVC	304 S.S.	SLHX40P4007PV4S****
1.660	1-1/4" SCH40	0.140	PVC	ZINC PLTD.	SLHX40P4007PVZP****
1.900	1-1/2" SCH5	0.065	304 S.S.	304 S.S.	SLHX48P05074S4S****
1.900	1-1/2" SCH5	0.065	GALV.	ZINC PLTD.	SLHX48P0507GAZP****
1.900	1-1/2" SCH40	0.145	PVC	304 S.S.	SLHX48P4007PV4S****
1.900	1-1/2" SCH40	0.145	PVC	ZINC PLTD.	SLHX48P4007PVZP****
2.375	2" SCH40	0.154	PVC	304 S.S.	SLHX64P4007PV4S****
2.375	2" SCH40	0.154	PVC	ZINC PLTD.	SLHX64P4007PVZP****
2.375	2" SCH80	0.218	PVC	304 S.S.	SLHX64P8007PV4S****
2.375	2" SCH80	0.218	PVC	ZINC PLTD.	SLHX64P8007PV4S****
2.375	SLEEVED	0.283	PVC/STEEL	304 S.S.	SLHX64P07PVMS4S****
2.375	SLEEVED	0.283	PVC/STEEL	ZINC PLTD.	SLHX64P07PVMSZP****
2.50	16 ga.	0.065	304 S.S.	304 S.S.	SLHX8016074S4S****
2.50	11 ga.	0.120	304 S.S.	304 S.S.	SLHX8011074S4S****
Contact BNB for Special Sizes not listed					

**** BETWEEN FRAME LGTH CODES (USED TO COMPL. RLR PART NUMBER)		
01 = 1/32"	12 = 3/8"	23 = 23/32"
02 = 1/16"	13 = 13/32"	24 = 3/4"
03 = 3/32"	14 = 7/16"	25 = 25/32"
04 = 1/8"	15 = 15/32"	26 = 13/16"
05 = 5/32"	16 = 1/2"	27 = 27/32"
06 = 3/16"	17 = 17/32"	28 = 7/8"
07 = 7/32"	18 = 9/16"	29 = 29/32"
08 = 1/4"	19 = 19/32"	30 = 15/16"
09 = 9/32"	20 = 5/8"	31 = 31/32"
10 = 5/16"	21 = 21/32"	32 = 1"
11 = 11/32"	22 = 11/16"	
First two digits of lgth. code is whole inches. Second two digits of length code is based on 32's of an inch increments. Example: Length is 15-1/2" = 1516.		