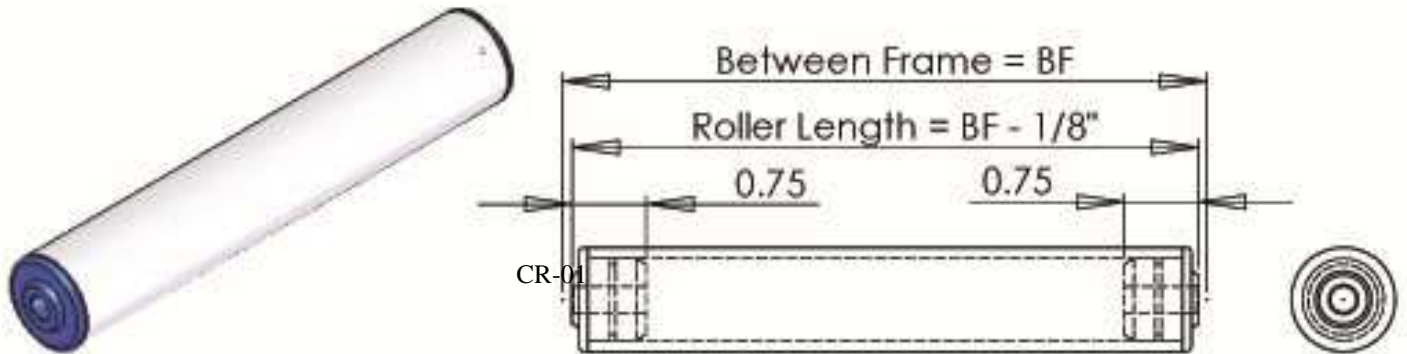


BNB Industries, Inc.

PO Box 963, Alvarado Texas 76009-0963 (mailing)
 2301 Webb Lynn Road, Arlington, Texas 76018 (mfg)
 Ph: 817-465-9226 E-mail: email@bnb-industries.com
 Fax 817-465-8305 Web Site: www.bnb-industries.com

**CONVEYOR ROLLERS
 LIGHT DUTY-THRU BORE**



SERIES: ROL1000-

RLR O.D.	NOM. PIPE or TUBE SIZE	WALL THICK.	TUBE MATERIAL	ROLLER PART NUMBER
0.750	20 ga.	0.035	ALUMINUM	BLT2420**AL * * * * *
0.750	18 ga.	0.049	304 S.S.	BLT2418**4S * * * * *
0.840	1/2" SCH40	0.109	PVC	BLT16P40**PV * * * * *
1.000	16 ga.	0.065	304 S.S.	BLT3216**4S * * * * *
1.050	3/4" SCH40	0.113	PVC	BLT24P40**PV * * * * *
1.315	1" SCH40	0.133	ALUMINUM	BLT32P40**AL * * * * *
1.315	1" SCH40	0.133	PVC	BLT32P40**PV * * * * *
1.375	18 ga.	0.049	304 S.S.	BLT4418**4S * * * * *
1.375	18 ga.	0.049	GALVANIZED	BLT4418**GA * * * * *
1.900	1-1/2" SCH5	0.065	304 S.S.	BLT48P05**4S * * * * *
1.900	1-1/2" SCH5	0.065	GALVANIZED	BLT48P05**GA * * * * *
1.900	1-1/2" SCH40	0.145	PVC	BLT48P40**PV * * * * *
Contact BNB for Special Sizes not listed				

* * BEARING BORE CODE			
* * * * BETWEEN FRAME LENGTH CODES			
(USED TO COMPLETE ROLLER PART NUMBER)			
01 = 1/32"	09 = 9/32"	17 = 17/32"	25 = 25/32"
02 = 1/16"	10 = 5/16"	18 = 9/16"	26 = 13/16"
03 = 3/32"	11 = 11/32"	19 = 19/32"	27 = 27/32"
04 = 1/8"	12 = 3/8"	20 = 5/8"	28 = 7/8"
05 = 5/32"	13 = 13/32"	21 = 21/32"	29 = 29/32"
06 = 3/16"	14 = 7/16"	22 = 11/16"	30 = 15/16"
07 = 7/32"	15 = 15/32"	23 = 23/32"	31 = 31/32"
08 = 1/4"	16 = 1/2"	24 = 3/4"	32 = 1"
BEARING BORE CODE: Bore Codes are based on 32's of an inch increments. Example: Bore is 1.4375 x 32 = 46 All bores to be "Rolling Fit" unless noted.			
ROLLER LENGTH CODE First two digits of length code is whole inches. Second two digits of length code is based on 32's of an inch increments. Example: Length is 15-1/2" = 1516.			