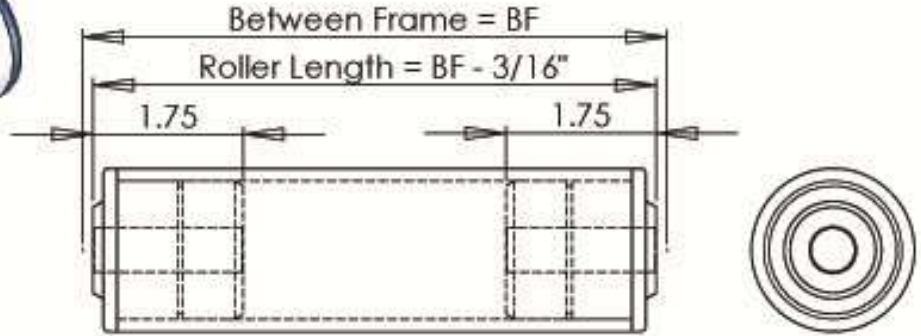


BNB Industries, Inc.

PO Box 963, Alvarado Texas 76009-0963 (mailing)
 2301 Webb Lynn Road, Arlington, Texas 76018 (mfg)
 Ph: 817-465-9226 E-mail: email@bnb-industries.com
 Fax 817-465-8305 Web Site: www.bnb-industries.com

**CONVEYOR ROLLERS
 HEAVY DUTY-THRU BORE**



SERIES: ROL1200-

RLR O.D.	NOM. PIPE or TUBE SIZE	WALL THICK.	TUBE MATERIAL	ROLLER PART NUMBER
1.900	1-1/2" SCH5	0.065	304 S.S.	BHT48P05**4S * * * *
1.900	1-1/2" SCH5	0.065	GALVANIZED	BHT48P05**GA * * * *
1.900	1-1/2" SCH10	0.109	304 S.S.	BHT48P10**4S * * * *
1.900	1-1/2" SCH40	0.145	PVC	BHT48P40**PV * * * *
1.900	1-1/2" SCH80	0.200	PVC	BHT48P80**PV * * * *
2.375	11 ga.	0.120	304 S.S.	BHT7611**4S * * * *
2.375	2" SCH40	0.154	PVC	BHT64P40**PV * * * *
2.375	2" SCH80	0.218	PVC	BHT64P80**PV * * * *
2.375	SLEEVED	0.283	PVC/STEEL	BHT64**PVMS * * * *
2.500	16 ga.	0.065	304 S.S.	BHT8016**4S * * * *
2.500	11 ga.	0.120	304 S.S.	BHT8011**4S * * * *
2.875	2-1/2" SCH80	0.276	PVC	BHT80P80**PV * * * *
Contact BNB for Special Sizes not listed				

* * BEARING BORE CODE			
* * * * BETWEEN FRAME LENGTH CODES			
(USED TO COMPLETE ROLLER PART NUMBER)			
01 = 1/32"	09 = 9/32"	17 = 17/32"	25 = 25/32"
02 = 1/16"	10 = 5/16"	18 = 9/16"	26 = 13/16"
03 = 3/32"	11 = 11/32"	19 = 19/32"	27 = 27/32"
04 = 1/8"	12 = 3/8"	20 = 5/8"	28 = 7/8"
05 = 5/32"	13 = 13/32"	21 = 21/32"	29 = 29/32"
06 = 3/16"	14 = 7/16"	22 = 11/16"	30 = 15/16"
07 = 7/32"	15 = 15/32"	23 = 23/32"	31 = 31/32"
08 = 1/4"	16 = 1/2"	24 = 3/4"	32 = 1"
BEARING BORE CODE: Bore Codes are based on 32's of an inch increments. Example: Bore is 1.4375 x 32 = 46 All bores to be "Rolling Fit" unless noted.			
ROLLER LENGTH CODE First two digits of length code is whole inches. Second two digits of length code is based on 32's of an inch increments. Example: Length is 15-1/2" = 1516.			